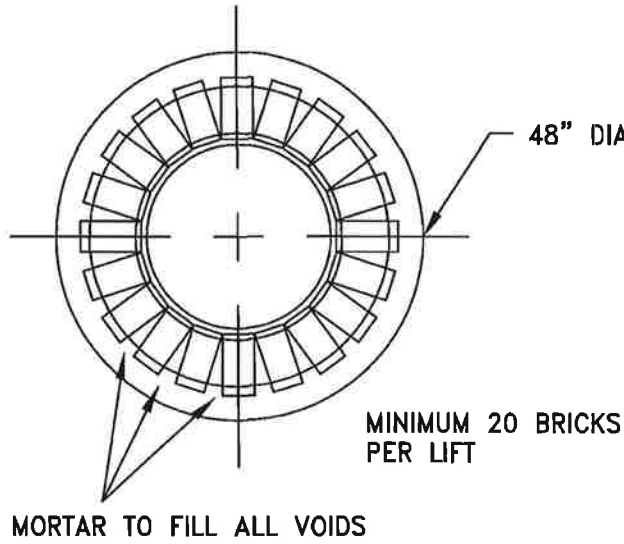
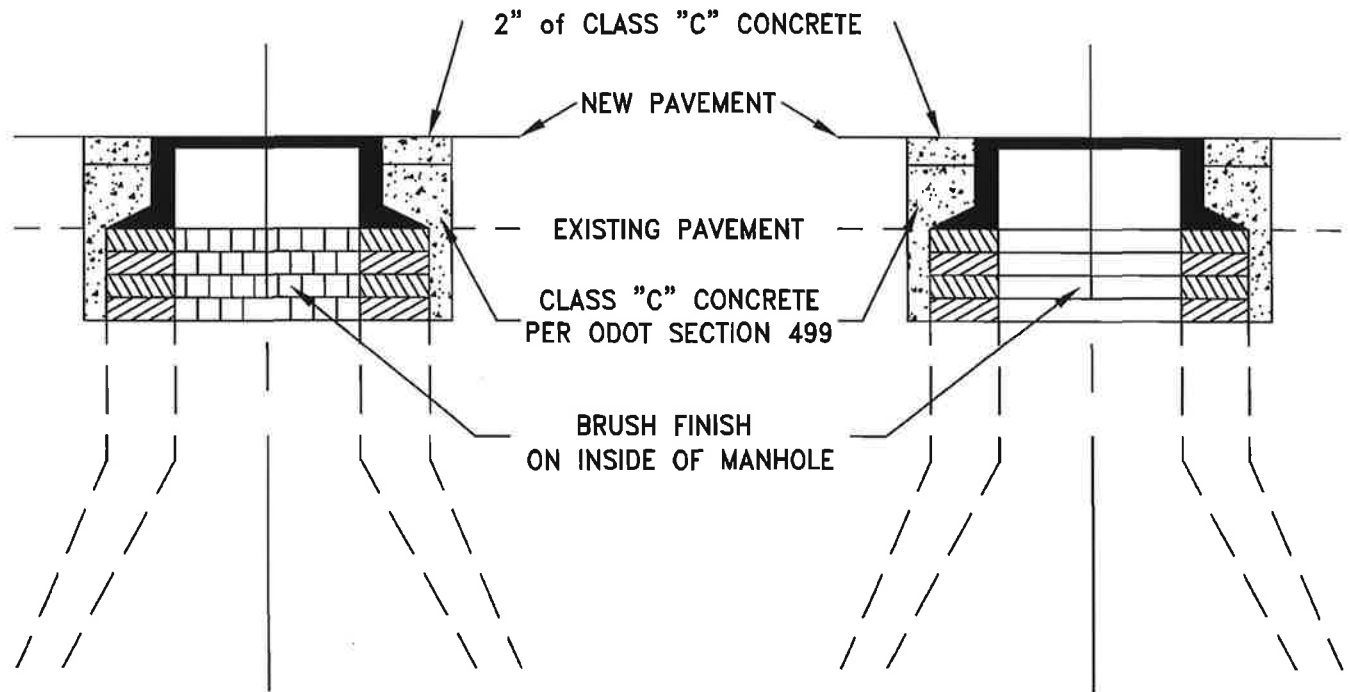
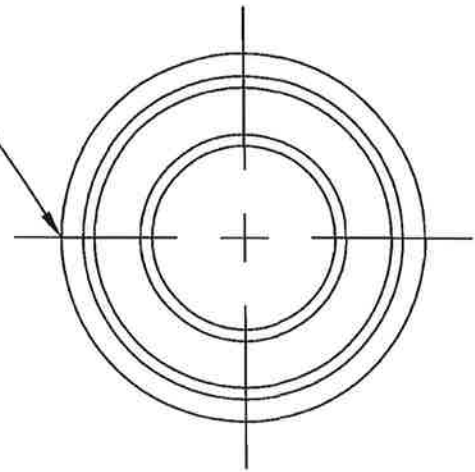


SECTION 1
CONCRETE PAVING BRICKS



SECTION 2
PRECAST CONCRETE ADJUSTING RINGS



7-91
PIPES

REVISED

CITY OF NEWARK, OHIO
DIVISION OF ENGINEERING

STANDARD DRAWING 900-3
MANHOLE GRADE ADJUSTMENT