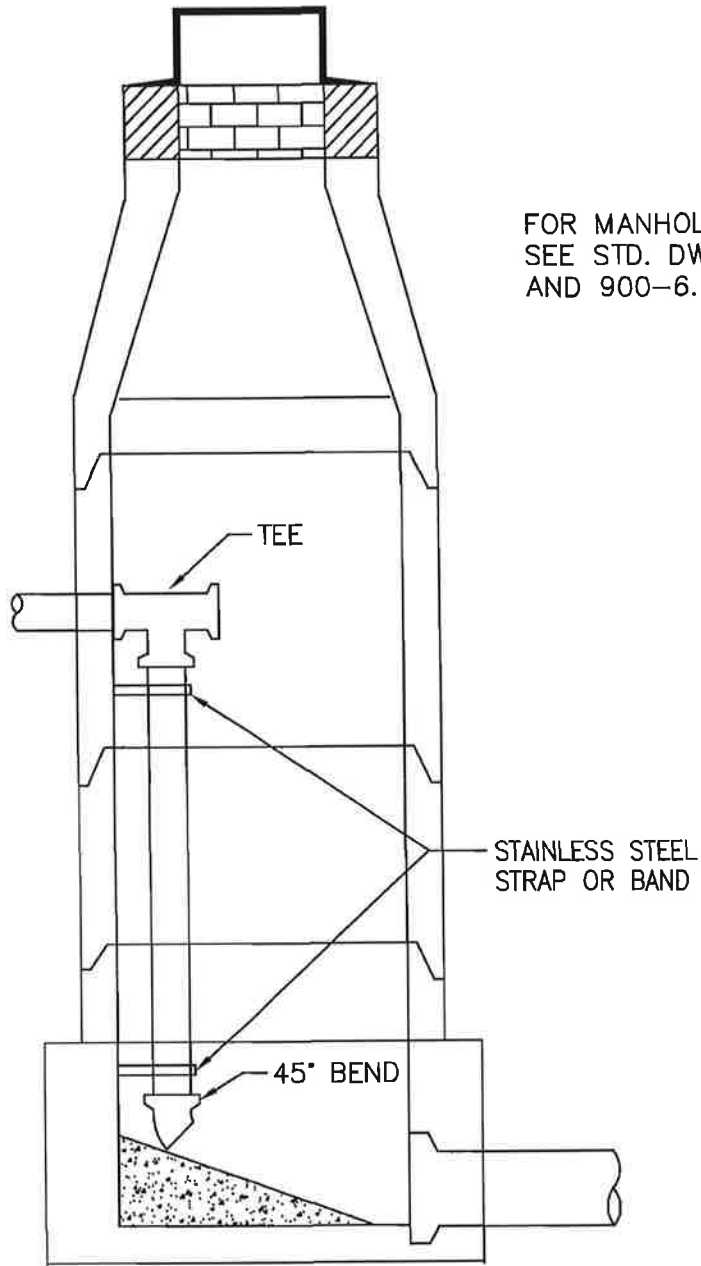


FOR CONCRETE REQUIREMENTS
SEE ITEM NO. 499 OF O.D.O.T.
CONSTRUCTION AND MATERIAL
SPECIFICATIONS.

FOR MANHOLE DETAILS
SEE STD. DWG. 900-0
AND 900-6.



A DROP MANHOLE IS TO BE USED WHEN EVER THE SEWER
ENTERING THE MANHOLE IS 2' OR MORE ABOVE THE
MANHOLE INVERT.
MAXIMUM SIZE OF PIPE FOR INSIDE DROP IS 8" DIA.

2-98
KELLEY

REVISED

CITY OF NEWARK, OHIO
DIVISION OF ENGINEERING

STANDARD DRAWING 900-2A

INSIDE DROP MANHOLE