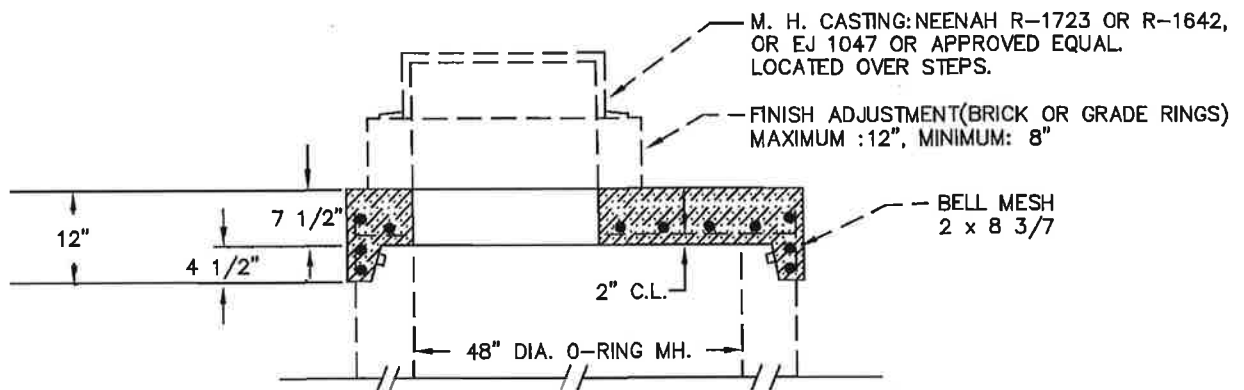


PLAN

NOTE: CENTER OPENING OVER STEPS, DIRECTLY OVER DOWNSTREAM FLOW LINE



SECTION

CITY OF NEWARK, OHIO
DIVISION OF ENGINEERING

STANDARD DRAWING 900-1
PRE-CAST CONC. MH. SLAB TOP

7-91
PIPES
REVISED
5-88 KELLEY
2-88 KELLEY
1-85 KELLEY