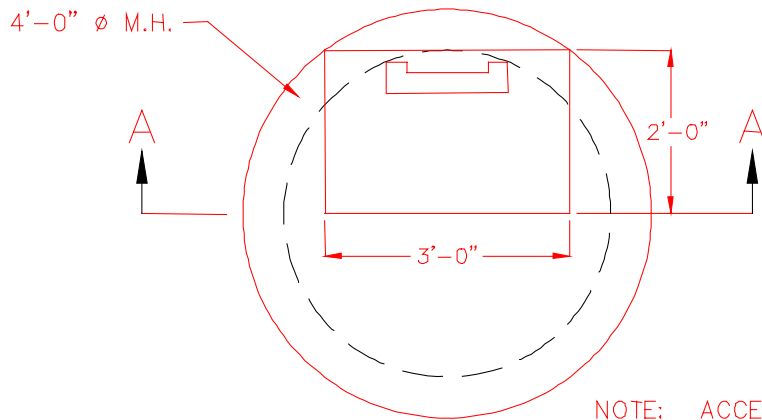
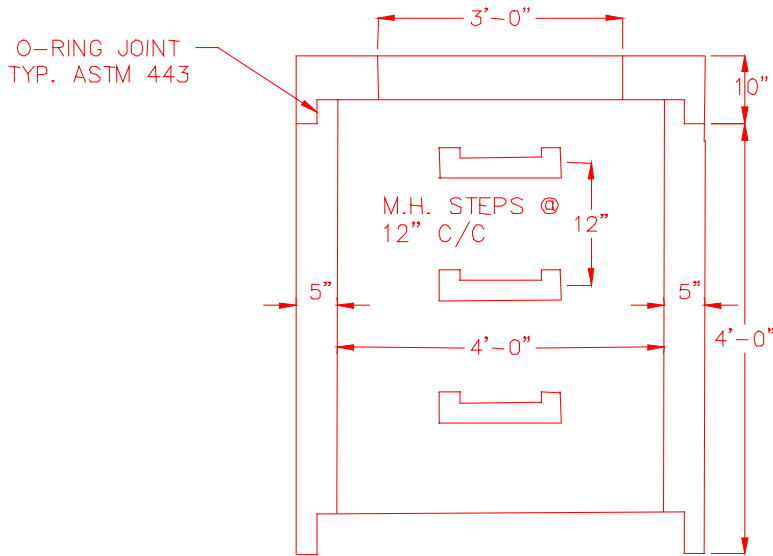


# 48" $\phi$ METER PIT



NOTE: ACCESS DOOR / LID SPEC.  
 BILCO TYPE K OR J OR PCM  
 OR APPROVED EQUAL  
 APPROVED BY THE WATER METER DEPT.

## PLAN



SEE NOTES ON STANDARD DRAWING 900-0 & 800-WS-9

2/98  
 KELLEY

REVISED

CITY OF NEWARK, OHIO  
 DIVISION OF ENGINEERING

STANDARD DRAWING 800-WS-9A

48"  $\phi$  METER PIT