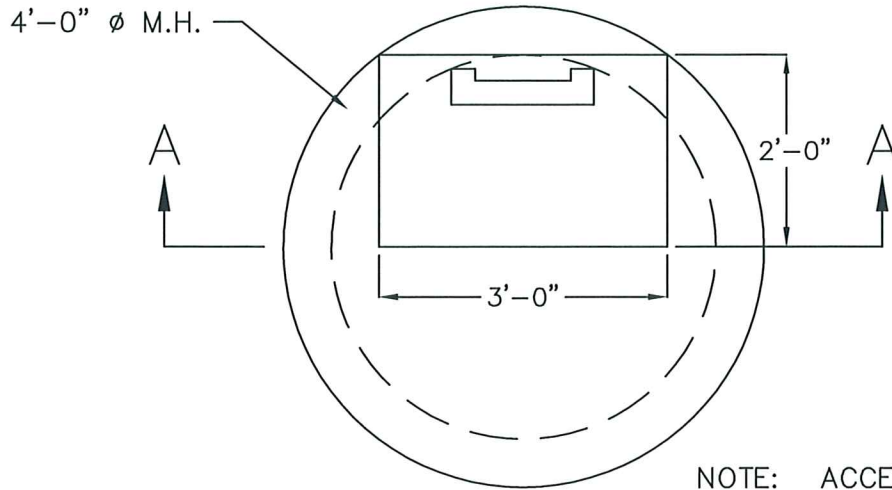
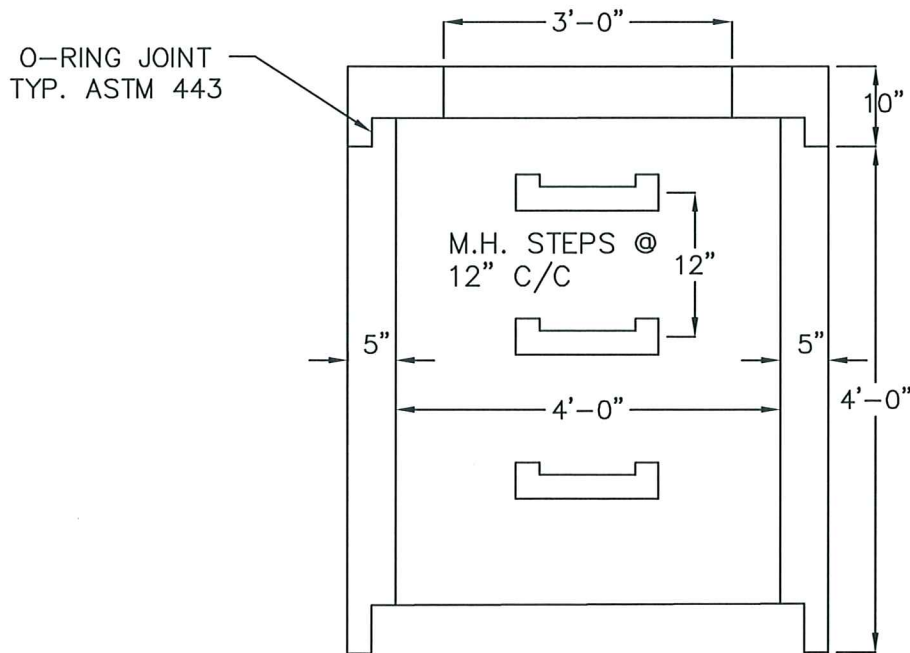


48" METER PIT FOR 1 1/2" OR 2" METERS



NOTE: ACCESS DOOR / LID SPEC.
 BILCO TYPE K OR J OR PCM
 OR APPROVED EQUAL
 APPROVED BY THE WATER METER DEPT.

PLAN



SEE NOTES ON STANDARD DRAWING 800-WS-5

CITY OF NEWARK, OHIO
 DIVISION OF ENGINEERING

STANDARD DRAWING 800-WS-6A
 48" METER PIT For 1 1/2" or 2" METERS

2/98
 KELLEY
 REVISED
 01-05 KELLEY
 4-06 KELLEY
 2-07 KELLEY