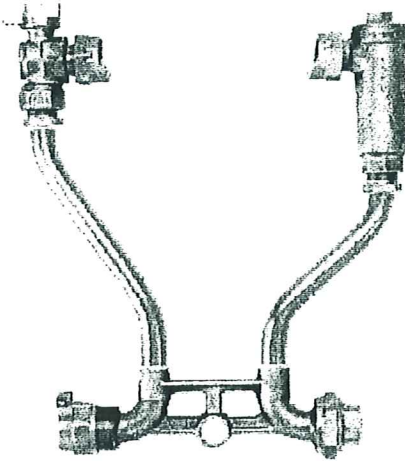
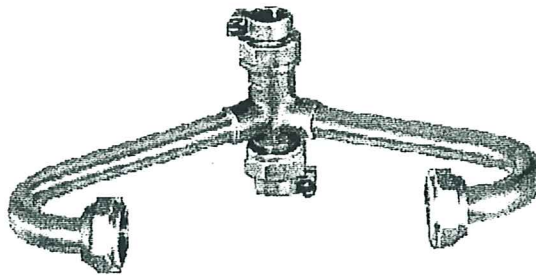


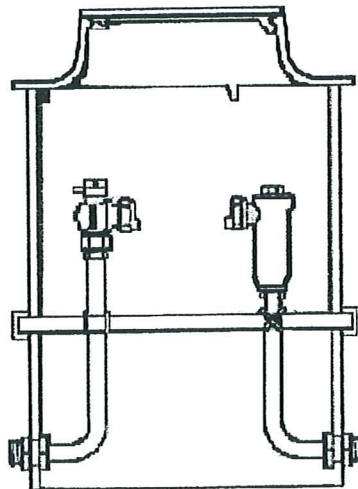
METER PIT FOR 1" OR SMALLER METERS



METER PIT SETTINGS



COPPERHORN



PIT 20" IN DIAMETER/OVER 42" DEEP  
33" RISERS WITH A 15" LID (AND 1 3/4" HOLE FOR TOUCH READ)

CITY OF NEWARK, OHIO  
DIVISION OF ENGINEERING

STANDARD DRAWING 800-WS-6  
METER PIT For 1" OR SMALLER METERS

4-06  
KELLEY  
REVISED  
4-06 KELLEY