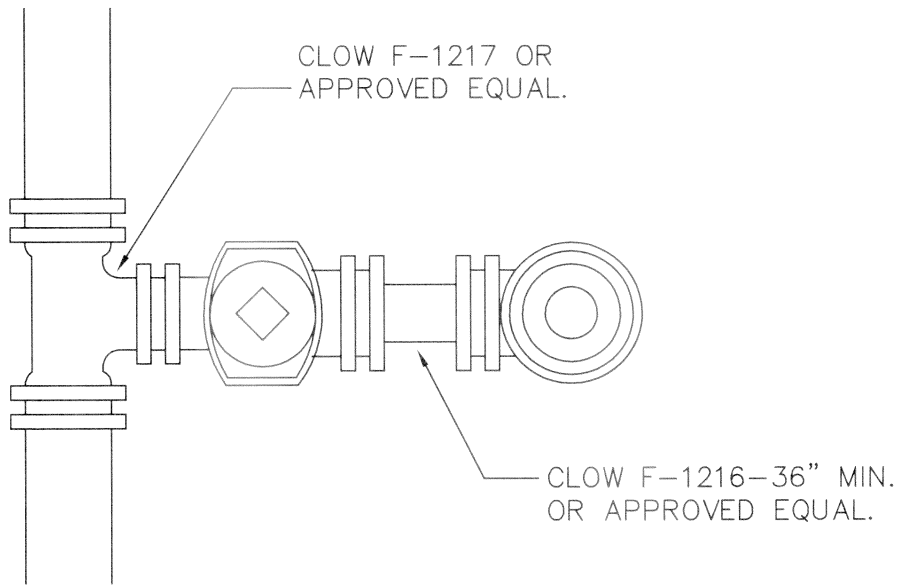


NOTE:

ALL VALVES TO HAVE
2" SQUARE OPERATING NUT
NON-RISING STEM, OPEN LEFT.

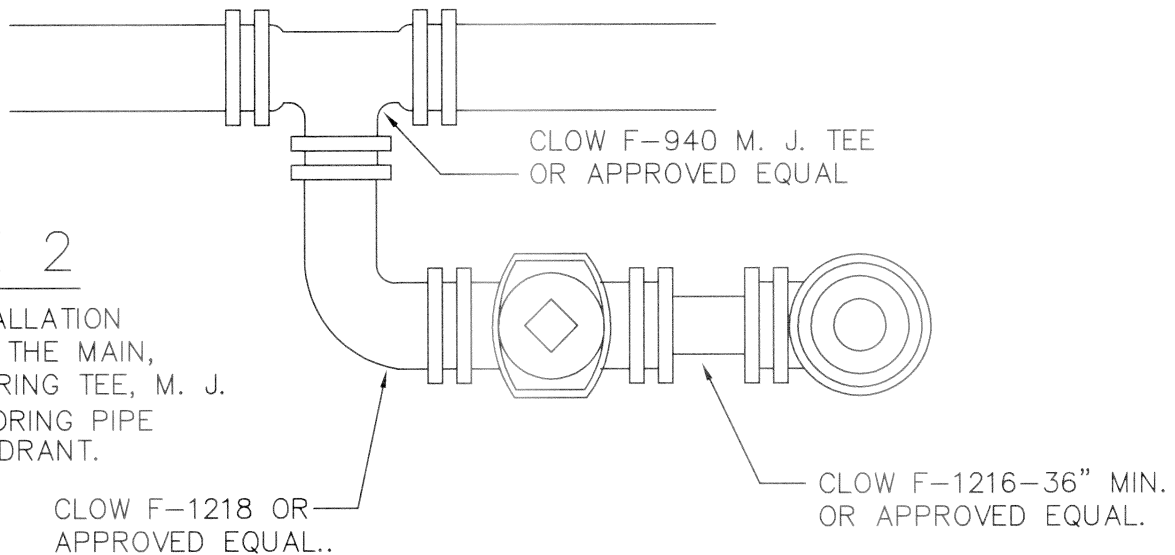
TYPE 1

TYPICAL INSTALLATION
PERPENDICULAR TO THE MAIN
USING ANCHORING TEE, M. J.
VALVE, ANCHORING COUPLING
AND M. J. HYDRANT.



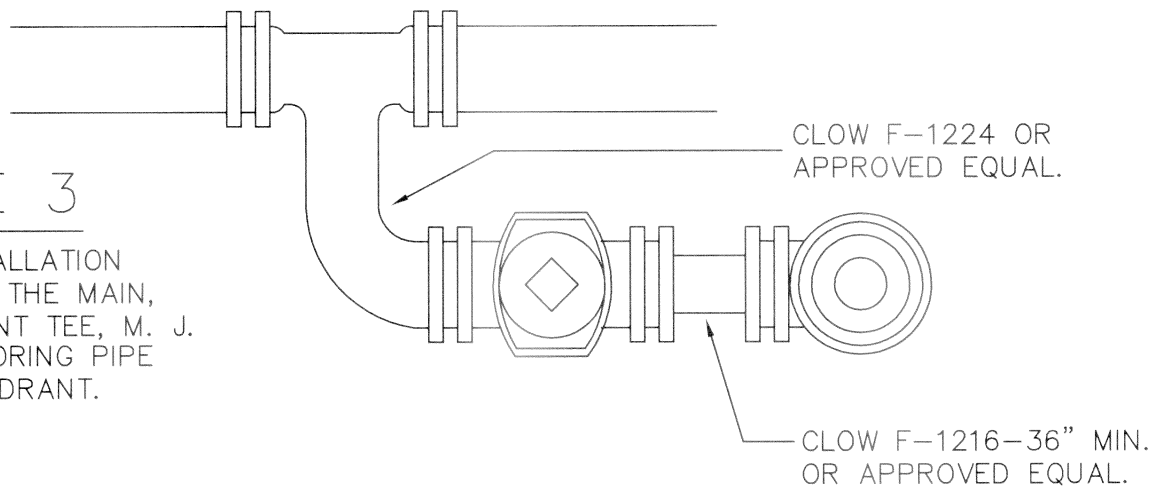
TYPE 2

TYPICAL INSTALLATION
PARALLEL TO THE MAIN,
USING ANCHORING TEE, M. J.
VALVE, ANCHORING PIPE
AND M. J. HYDRANT.



TYPE 3

TYPICAL INSTALLATION
PARALLEL TO THE MAIN,
USING HYDRANT TEE, M. J.
VALVE, ANCHORING PIPE
AND M. J. HYDRANT.



FOR DETAILS, SEE STANDARD DRAWING 800-5.

CITY OF NEWARK, OHIO
DIVISION OF ENGINEERING

STANDARD DRAWING 800-6
HYDRANT SETTINGS

8-91
PIPES
REVISED
5-96 KELLEY
2-98 KELLEY